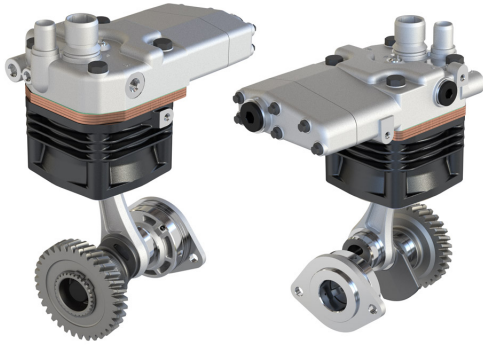


Application: O 502 V8 EURO4-5 ENGINE


OEM	OE

Cylinder Bore	Ø100
Stroke	48 mm
Swept Volume	377 cc
Air Inlet Port Size	Ø34
Air Delivery Port Size	M26x1,5
Number of Cylinders	1
Through Drive	Yes
Unloader Port Size	M10x1
Water Or Air Cooled	W
Water Inlet Port Size	M14x1.5
Water Delivery Port Size	M14x1.5
Water Cooled Valve Plate	Yes

Components

324.01.1200	Cylinder Head	OEM	OE

324.01.1210	Cylinder Head With Plate Kit	OEM	OE
			5411303519

324.01.1300	Plate Kit	OEM	OE

324.01.1310	Plate Kit	OEM	OE

324.01.1400	Connecting Rod	OEM	OE
			5411310617

324.01.1500	Crankshaft	OEM	OE
			5411300314 5411300514

276.01.1600	Bearing Cover	OEM	OE
			5411310142 5411310242

276.01.1620	Bushing	OEM	OE
			5411310145 5411320145

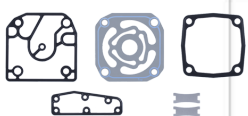
276.01.2900	Gear	OEM	OE
			4421300330 5411300230 5411300630

276.01.2700	Screw Kit	OEM	OE
			4429905401 5419900504

276.01.1700	Piston With Rings (STD)	OEM	OE
			51541196001
276.01.1700-Ø100.00 mm 276.01.1710-Ø100.25 mm 276.01.1720-Ø100.50 mm 276.01.1730-Ø100.75 mm 276.01.1740-Ø101.00 mm 276.01.1750-Ø100.00 mm 276.01.1760-Ø100.25 mm 276.01.1770-Ø100.50 mm			

276.01.1800	Piston Ring Kit (STD)	OEM	OE
			5010323075 0011310111 5010323074 51541030001
276.01.1800-Ø100.00 mm 276.01.1810-Ø100.25 mm 276.01.1820-Ø100.50 mm 276.01.1830-Ø100.75 mm 276.01.1840-Ø101.00 mm 276.01.1850-Ø100.00 mm 276.01.1860-Ø100.25 mm 276.01.1870-Ø100.50 mm			

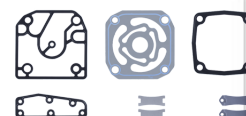
324.01.2350 Repair Kit w/o Bushing

	OEM	OE
		


324.01.2330 Repair Kit

	OEM	OE
		


324.01.2320 Repair Kit

	OEM	OE
		


324.01.1280 Head Repair Kit

	OEM	OE
		

324.01.2100 Gasket & Sealing Kit

	OEM	OE
		

324.01.2200 Valve Kit

	OEM	OE
		

324.01.2500 Unloader Valve Kit

	OEM	OE
		

276.01.2800 Cylinder Liner

	OEM	OE
		

276.01.2810 Cylinder Liner Kit

	OEM	OE
		

541130008

276.01.2850 Cylinder Block & Piston w Rings

	OEM	OE
		