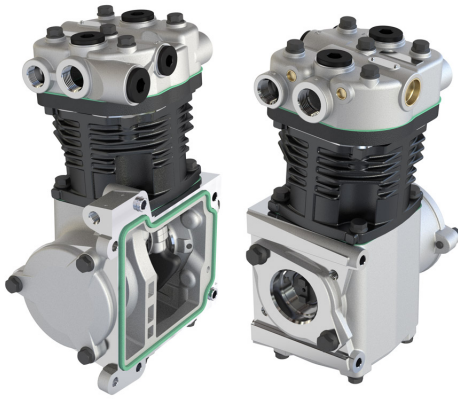
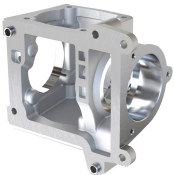



**Application:** MAN 19.260 / 19.360 / 19.361 / 1919 / 1922


OEM	OE
	51 54000 7087
	51 54000 7057


<b>Cylinder Bore</b>	Ø90
<b>Stroke</b>	46 mm
<b>Swept Volume</b>	292 cc
<b>Air Inlet Port Size</b>	M26x1.5
<b>Air Delivery Port Size</b>	M26*1,5
<b>Number of Cylinders</b>	1
<b>Through Drive</b>	Yes
<b>Unloader Port Size</b>	-
<b>Water Or Air Cooled</b>	W
<b>Water Inlet Port Size</b>	M22x1.5
<b>Water Delivery Port Size</b>	M22x1.5
<b>Water Cooled Valve Plate</b>	Yes

## Components

340.01.1100 Crankcase	
OEM	OE
	4071300610 51541120012 51541126003

340.01.1200 Cylinder Head	
OEM	OE
	4110336532 81541110026

340.01.1210 Cylinder Head With Plate Kit	
OEM	OE
	4110338062 51541116054 51541146045 51541146514

340.01.1300 Plate Kit	
OEM	OE
	4110335032 4411300120 4110335052 81541246013

340.01.1400 Connecting Rod	
OEM	OE
	4031302216 4031302816 51541066013

340.01.1420 Connecting Rod	
OEM	OE
	4031302816 51541066013

340.01.1410 Big end Bearing	
OEM	OE
	4031310233 81541216001

340.01.1500 Crankshaft	
OEM	OE
	4031310716 51541130017 51541135027

340.01.1600 Bearing Cover	
OEM	OE
	4031301645 51541306011

340.01.1620 Bearing Cover	
OEM	OE
	4031301645 51541306011

340.01.1700 Piston With Rings (STD)	
OEM	OE
	
340.01.1700-Ø90.00 mm 340.01.1710-Ø90.25 mm 340.01.1720-Ø90.50 mm 340.01.1730-Ø90.75 mm 340.01.1740-Ø91.00 mm	

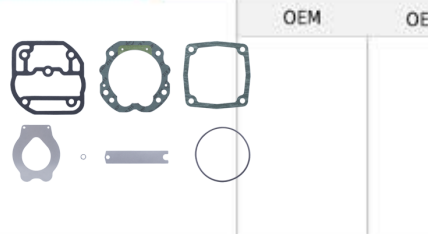
340.01.1800 Piston Ring Kit (STD)	
OEM	OE
	4111426232
340.01.1800-Ø90.00 mm 340.01.1810-Ø90.25 mm 340.01.1820-Ø90.50 mm 340.01.1830-Ø90.75 mm 340.01.1840-Ø91.00 mm	

340.01.2300 Repair Kit With Bushing



OEM OE

340.01.2350 Repair Kit w/o Bushing



OEM OE

340.01.1280 Head Repair Kit



OEM OE

340.01.2100 Gasket & Sealing Kit



OEM OE

340.01.2200 Valve Kit



OEM OE

318.01.1502 Screw for crankshaft



OEM OE

4039900610  
51900200131

340.01.2600 Bushing



OEM OE

4031310450  
51930200335

345.01.2800 Cylinder Liner



OEM OE

4031312002  
51541606006

345.01.2810 Cylinder Liner Kit



OEM OE

4031300008  
4031300117  
4031310002  
4421300002  
4421300008  
51541050007  
51541056003  
51541606006

340.01.2900 Gear



OEM OE

4071321005  
4071321105  
4661320005  
51542100038

334.01.3600 Cover Square



OEM OE

4421310021  
51014020033

334.01.3700 Cover Triangle



OEM OE

4071310021  
51541110001

340.01.2700 Screw Kit



OEM OE

343.01.1310 Plate Kit, Complete



OEM OE