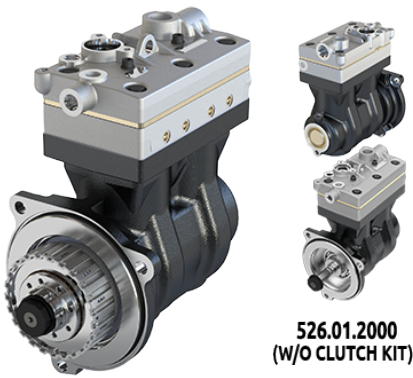


Application: FH13 / FH16

526.01.2000
(W/O CLUTCH KIT)

OEM	OE
9125120220	21749961
9125120190	21646147
9125420060	21839532
9125420050	
9125510050	

Cylinder Bore	Ø85
Stroke	56
Swept Volume	630
Air Inlet Port Size	Ø 34.9
Air Delivery Port Size	M26x1.5
Number of Cylinders	2
Through Drive	Yes
Unloader Port Size	-
Water Or Air Cooled	W
Water Inlet Port Size	M16x1.5
Water Delivery Port Size	M16x1.5
Water Cooled Valve Plate	Yes

Components

160.01.1100	Crankcase	OEM	OE

526.01.1200	Cylinder Head	OEM	OE
		9125149202	21707604 7421707604 7421707604 RENAULT

160.01.1220	Cylinder Upper Head	OEM	OE

526.01.1230	Cylinder Lower Head	OEM	OE

139.01.1300	Coolant Plate	OEM	OE

143.01.1400	Connecting Rod	OEM	OE
		9111457372 9111457382 9111537302	3357396 0001312417 0001312517

160.01.1500	Crankshaft	OEM	OE

160.01.1580	Nut For Crankshaft	OEM	OE

143.01.1600	Rear Cover	OEM	OE
		8950723004	697140

160.01.1280	Head Repair Kit	OEM	OE

136.01.1700	Piston With Rings (STD)	OEM	OE
		9115016242 9115016252 912006272	1283781 1698686 0001303417 0001305317 81541196040
136.01.1700-Ø85.00 mm 136.01.1710-Ø85.25 mm 136.01.1720-Ø85.50 mm 136.01.1730-Ø85.75 mm 136.01.1740-Ø86.00 mm			

132.01.1800	Piston Ring Kit (STD)	OEM	OE
		9115019202 9118019202	3094621 0011311111
132.01.1800-Ø85.00 mm 132.01.1810-Ø85.25 mm 132.01.1820-Ø85.50 mm 132.01.1830-Ø85.75 mm 132.01.1840-Ø86.00 mm			

160.01.2300 Repair Kit With Bushing					
	<table border="1"> <tr> <th>OEM</th> <th>OE</th> </tr> <tr> <td></td> <td></td> </tr> </table>	OEM	OE		
OEM	OE				

160.01.2350 Repair Kit w/o Bushing					
	<table border="1"> <tr> <th>OEM</th> <th>OE</th> </tr> <tr> <td></td> <td></td> </tr> </table>	OEM	OE		
OEM	OE				

160.01.2320 Repair Kit					
	<table border="1"> <tr> <th>OEM</th> <th>OE</th> </tr> <tr> <td></td> <td></td> </tr> </table>	OEM	OE		
OEM	OE				

160.01.2310 Repair Kit With Bushing & Plate					
	<table border="1"> <tr> <th>OEM</th> <th>OE</th> </tr> <tr> <td></td> <td></td> </tr> </table>	OEM	OE		
OEM	OE				

160.01.2330 Repair Kit					
	<table border="1"> <tr> <th>OEM</th> <th>OE</th> </tr> <tr> <td></td> <td></td> </tr> </table>	OEM	OE		
OEM	OE				

160.01.2340 Repair Kit					
	<table border="1"> <tr> <th>OEM</th> <th>OE</th> </tr> <tr> <td>9125129272</td> <td>21322318 7421322318</td> </tr> </table>	OEM	OE	9125129272	21322318 7421322318
OEM	OE				
9125129272	21322318 7421322318				

139.01.2100 Gasket & Sealing Kit					
	<table border="1"> <tr> <th>OEM</th> <th>OE</th> </tr> <tr> <td></td> <td></td> </tr> </table>	OEM	OE		
OEM	OE				

160.01.2200 Valve Kit					
	<table border="1"> <tr> <th>OEM</th> <th>OE</th> </tr> <tr> <td></td> <td></td> </tr> </table>	OEM	OE		
OEM	OE				

136.01.1900 Cap					
	<table border="1"> <tr> <th>OEM</th> <th>OE</th> </tr> <tr> <td>8950735894</td> <td>1304881 3094835 11712508 0001312321</td> </tr> </table>	OEM	OE	8950735894	1304881 3094835 11712508 0001312321
OEM	OE				
8950735894	1304881 3094835 11712508 0001312321				

143.01.2600 Bushing					
	<table border="1"> <tr> <th>OEM</th> <th>OE</th> </tr> <tr> <td></td> <td></td> </tr> </table>	OEM	OE		
OEM	OE				

138.01.2700 Screw Kit					
	<table border="1"> <tr> <th>OEM</th> <th>OE</th> </tr> <tr> <td></td> <td></td> </tr> </table>	OEM	OE		
OEM	OE				

160.01.2910 Clutch Kit					
	<table border="1"> <tr> <th>OEM</th> <th>OE</th> </tr> <tr> <td>9125129322 9125129402</td> <td>22144011 23122275</td> </tr> </table>	OEM	OE	9125129322 9125129402	22144011 23122275
OEM	OE				
9125129322 9125129402	22144011 23122275				

160.01.2920 Actuation					
	<table border="1"> <tr> <th>OEM</th> <th>OE</th> </tr> <tr> <td>9125129332</td> <td></td> </tr> </table>	OEM	OE	9125129332	
OEM	OE				
9125129332					

160.01.1103 Bearing					
	<table border="1"> <tr> <th>OEM</th> <th>OE</th> </tr> <tr> <td></td> <td></td> </tr> </table>	OEM	OE		
OEM	OE				

	<table border="1"> <tr> <th>OEM</th> <th>OE</th> </tr> <tr> <td></td> <td></td> </tr> </table>	OEM	OE		
OEM	OE				

	<table border="1"> <tr> <th>OEM</th> <th>OE</th> </tr> <tr> <td></td> <td></td> </tr> </table>	OEM	OE		
OEM	OE				

	<table border="1"> <tr> <th>OEM</th> <th>OE</th> </tr> <tr> <td></td> <td></td> </tr> </table>	OEM	OE		
OEM	OE				

	<table border="1"> <tr> <th>OEM</th> <th>OE</th> </tr> <tr> <td></td> <td></td> </tr> </table>	OEM	OE		
OEM	OE				