

**Application: CUMMINS L/K/N ENGINES**



OEM	OE
SS296	3047440

<b>Cylinder Bore</b>	Ø92
<b>Stroke</b>	44,3
<b>Swept Volume</b>	295
<b>Air Inlet Port Size</b>	-
<b>Air Delivery Port Size</b>	1/2'-14 NPTF
<b>Number of Cylinders</b>	1
<b>Through Drive</b>	Yes
<b>Unloader Port Size</b>	1/8'- 27 NPTF
<b>Water Or Air Cooled</b>	W
<b>Water Inlet Port Size</b>	3/8'-18 NPTF
<b>Water Delivery Port Size</b>	3/8'-18 NPTF
<b>Water Cooled Valve Plate</b>	Yes

## Components

730.01.1100	Crankcase	OEM	OE
			


730.01.1200	Cylinder Head	OEM	OE
			


730.01.2547	Unloader Head	OEM	OE
			


730.01.1220	Cylinder Upper Head	OEM	OE
			


730.01.1230	Cylinder Lower Head	OEM	OE
			

480.01.1400	Connecting Rod	OEM	OE
			

730.01.1500	Crankshaft	OEM	OE
			

730.01.1650	Front Flange	OEM	OE
			

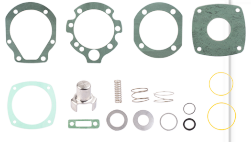
480.01.1700	Piston With Rings (STD)	OEM	OE
			
480.01.1700-Ø92.075 mm 480.01.1710-Ø92.325 mm 480.01.1720-Ø92.575 mm 480.01.1730-Ø92.75 mm 480.01.1740-Ø93.00 mm			

480.01.1800	Piston Ring Kit (STD)	OEM	OE
			
480.01.1800-Ø92.075 mm 480.01.1810-Ø92.325 mm 480.01.1820-Ø92.575 mm 480.01.1830-Ø92.75 mm 480.01.1840-Ø93.00 mm			

730.01.2600	Bushing	OEM	OE
			

601.01.2900	Gear	OEM	OE
			190777

730.01.2350 Repair Kit w/o Bushing



OEM	OE

OEM	OE

OEM	OE

OEM	OE

OEM	OE

OEM	OE

OEM	OE

OEM	OE

OEM	OE

OEM	OE

OEM	OE

OEM	OE

OEM	OE

OEM	OE

OEM	OE

OEM	OE

OEM	OE

OEM	OE