

Application: CUMMINS ISC ENGINE

**809.01.2000
(WITH GEAR)**

OEM	OE
9111530110	5286679
9111539390	4933780
	4936219
	5301096
	3969114

Cylinder Bore	Ø85
Stroke	56
Swept Volume	318
Air Inlet Port Size	Ø25
Air Delivery Port Size	M27*2
Number of Cylinders	1
Through Drive	Yes
Unloader Port Size	M10*1
Water Or Air Cooled	W
Water Inlet Port Size	3/4"- 16 UNF
Water Delivery Port Size	3/4"- 16 UNF
Water Cooled Valve Plate	Yes

Components

614.01.1100	Crankcase	OEM	OE

601.01.1200	Cylinder Head	OEM	OE
		9111539202	4936226 4936226

601.01.1220	Cylinder Upper Head	OEM	OE

601.01.1230	Cylinder Lower Head	OEM	OE

143.01.1400	Connecting Rod	OEM	OE
		9111457372 9111457382 9111537302	3357396 0001312417 0001312517

143.01.1470	Connecting Rod & Piston Rep	OEM	OE
			9111539422 9125129292

603.01.1500	Crankshaft	OEM	OE

660.01.1510	Pump Adapter	OEM	OE

602.01.1502	Screw for Crankshaft	OEM	OE


602.01.1600	Bearing Cover	OEM	OE
		9111539252	4089222 4089222

136.01.1700	Piston With Rings (STD)	OEM	OE
		9115016242 9115016252 912006272	1283781 1698686 0001303417 0001305317 81541196040
136.01.1700-Ø85.00 mm 136.01.1710-Ø85.25 mm 136.01.1720-Ø85.50 mm 136.01.1730-Ø85.75 mm 136.01.1740-Ø86.00 mm			

132.01.1800	Piston Ring Kit (STD)	OEM	OE
		9115019202 9118019202	3094621 0011311111
132.01.1800-Ø85.00 mm 132.01.1810-Ø85.25 mm 132.01.1820-Ø85.50 mm 132.01.1830-Ø85.75 mm 132.01.1840-Ø86.00 mm			

136.01.1900 Cap		OEM	OE
		8950735894	1304881 3094835 11712508 0001312321

602.01.2600 Bushing		OEM	OE
			

136.01.2700 Screw Kit		OEM	OE
		8912119994	


235.01.1103 Bearing		OEM	OE
			


603.01.2900 Gear		OEM	OE
			3940239 3942497

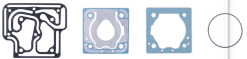
602.01.2300 Repair Kit With Bushing		OEM	OE
			


601.01.2350 Repair Kit w/o Bushing		OEM	OE
			


601.01.2330 Repair Kit		OEM	OE
			

601.01.2320 Repair Kit		OEM	OE
		9111549292	4089238

601.01.1280 Head Repair Kit		OEM	OE
			

601.01.2100 Gasket & Sealing Kit		OEM	OE
			

601.01.2200 Valve Kit		OEM	OE
			

601.01.2500 Unloader Valve Kit		OEM	OE
			

		OEM	OE

		OEM	OE

		OEM	OE

		OEM	OE

		OEM	OE