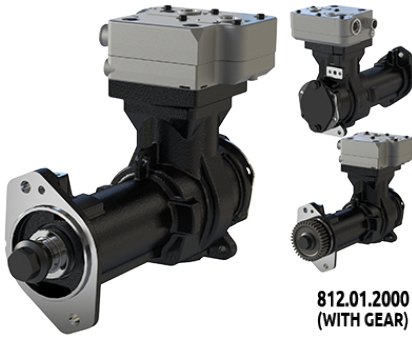


Application: CUMMINS ISB / QSB ENGINES

**812.01.2000
(WITH GEAR)**

OEM	OE
9111530150	4933564 5266299 5286959 5301080 5286958

Cylinder Bore	Ø85
Stroke	56
Swept Volume	318
Air Inlet Port Size	Ø25
Air Delivery Port Size	M27x2
Number of Cylinders	1
Through Drive	Yes
Unloader Port Size	M10*1
Water Or Air Cooled	W
Water Inlet Port Size	3/4'-16 UNF-2B
Water Delivery Port Size	3/4'-16 UNF-2B
Water Cooled Valve Plate	Yes

Components

812.01.1100	Crankcase	OEM	OE

601.01.1200	Cylinder Head	OEM	OE
		9111539202	4936226 4936226

601.01.1220	Cylinder Upper Head	OEM	OE

601.01.1230	Cylinder Lower Head	OEM	OE

143.01.1400	Connecting Rod	OEM	OE
		9111457372 9111457382 9111537302	3357396 0001312417 0001312517

812.01.1500	Crankshaft	OEM	OE

609.01.1510	Pump Adapter	OEM	OE

583.01.1502	Screw For Crankshaft	OEM	OE

602.01.1600	Bearing Cover	OEM	OE
		9111539252	4089222 4089222

617.01.1640	Cover Kit	OEM	OE

136.01.1700	Piston With Rings (STD)	OEM	OE
		9115016242 9115016252 9120006272	1283781 1698686 0001303417 0001305317 81541196040
136.01.1700-Ø85.00 mm 136.01.1710-Ø85.25 mm 136.01.1720-Ø85.50 mm 136.01.1730-Ø85.75 mm 136.01.1740-Ø86.00 mm			

132.01.1800	Piston Ring Kit (STD)	OEM	OE
		9115019202 9118019202	3094621 0011311111
132.01.1800-Ø85.00 mm 132.01.1810-Ø85.25 mm 132.01.1820-Ø85.50 mm 132.01.1830-Ø85.75 mm 132.01.1840-Ø86.00 mm			

601.01.2300 Repair Kit With Bushing

OEM	OE

601.01.2350 Repair Kit w/o Bushing

OEM	OE

601.01.2330 Repair Kit

OEM	OE

601.01.2320 Repair Kit

OEM	OE
9111549292	4089238

601.01.1280 Head Repair Kit

OEM	OE

601.01.2100 Gasket & Sealing Kit

OEM	OE

601.01.2200 Valve Kit

OEM	OE

601.01.2500 Unloader Valve Kit

OEM	OE

136.01.1900 Cap

OEM	OE
8950735894	1304881 3094835 11712508 0001312321

601.01.2600 Bushing

OEM	OE

583.01.2900 Gear

OEM	OE
	3954290

235.01.1103 Bearing

OEM	OE